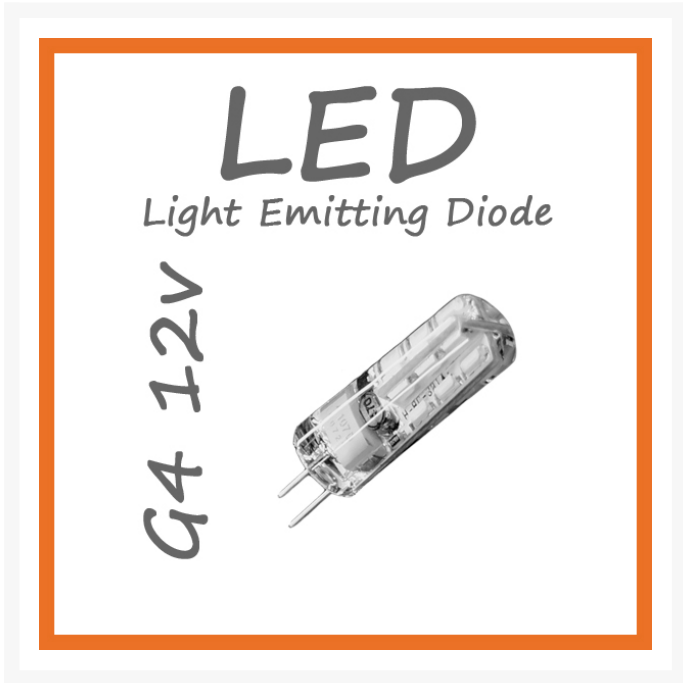
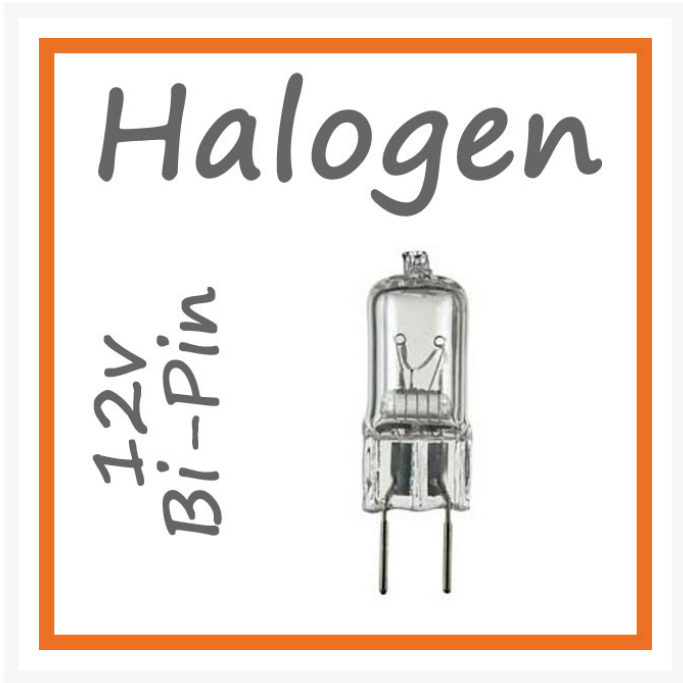
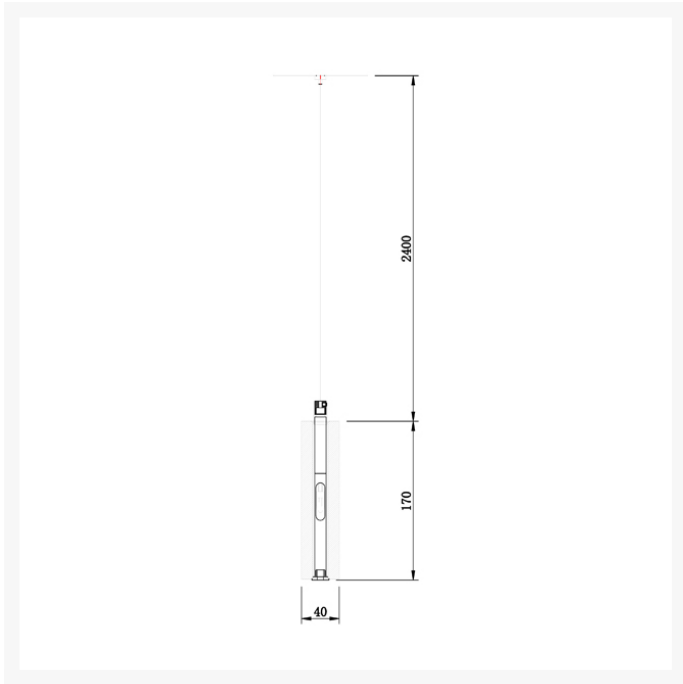
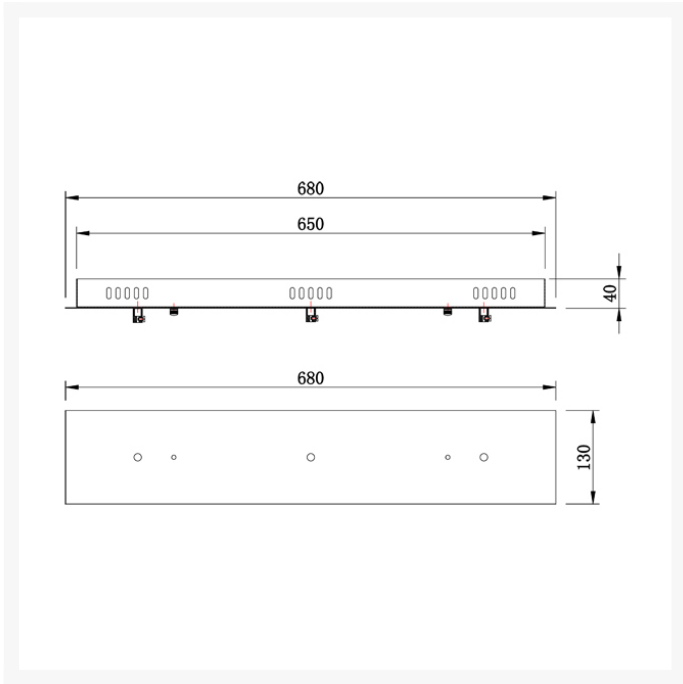




Tina 3 Light Pendant - Clear

Product Images





Description

The Tina 3 Light Pendant - Clear is a solid glass square cylinder lighting fixture, which is extremely elegant. This stunning glass pendant light is ideally suited over your dining table or as a kitchen bench pendant light.

The Tina 3 Light Pendant - Clear is available with the following options:

1. Globe(s) Included Option:
 - No Globe(s) - *(Supply your own)*.
 - With 3 x G4 20w Halogen Globe + 3 x Transformer - *(An additional \$48 will be added automatically)*.
 - With 3 x G4 2w=20w LED Silicon Globe + 3 x LED Driver - *(An additional \$69 will be added automatically)*.

The Tina 3 Light Pendant - Clear has the following specifications:

- Constructed from - Glass.
- Frame Colour - Chrome.
- Shade Colour - Clear glass.
- Globes Specification:
 - 3 x 12v G4 Globe(s) 20w Max.
 - *(If you have selected the LED upgrade option, Warm White LED will be dispatched as the common choice. However, if you prefer Cool White LED, simply advise us in the "Comments Section", when placing your order)*.
- Dimensions:
 - Glass Shade Height - 170mm.
 - Glass Shade Diameter - 40mm.
 - Cable Length - 2400mm *(Adjustable)*.
 - Ceiling Plate Size - 680mm x 130mm.
- Dimmable - Yes, when the Halogen option is selected, the LED option is Non-Dimmable. See our [Dimming Switches](#).
- Power Rating: 12v (240v with Transformer)
- IP Rating: IP20
- ASA: Australian Standards Approved.
- Condition: Brand new in manufacturer's packaging.
- Due to nature of this item (Mix & Match Range), it will be supplied in individually packaged pieces. Assembly will be required by your installer.

**This is a Marden Design Product, exclusively sold at MICA Lighting.*

