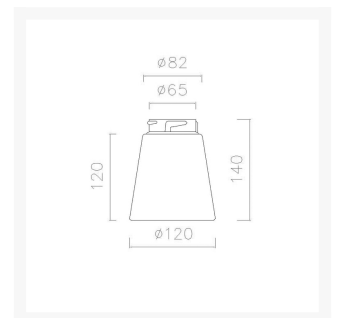




Bounty 40 Replacement Glass - Opal Matt

Product Images



Description

The Bounty 40 Replacement Glass - Opal Matt includes the metal laser-cut base for piece of mind for any "accidents" which may occur. This replacement shade is solely to be used for any of the Marden Design Bounty range.

The Bounty 40 Replacement Glass - Opal Matt has the following product features:

- Shade Colour: Opal Matt Glass, with Laser-Cut Base & Nut.
- Material: Glass & Chrome Metal.
- Dimensions:
 - Height - 140mm.
 - Diameter - 120mm.
- Suitable to be used with any products from the Marden Bounty 40 Range.
- ASA: Australian Standards Approved.
- Condition: Brand new in manufacturer's packaging.

**Please note: *Please note: This range of glassware is either hand blown or mould-formed, therefore small detail may vary between batches.*

